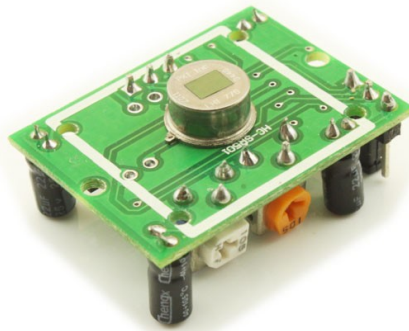


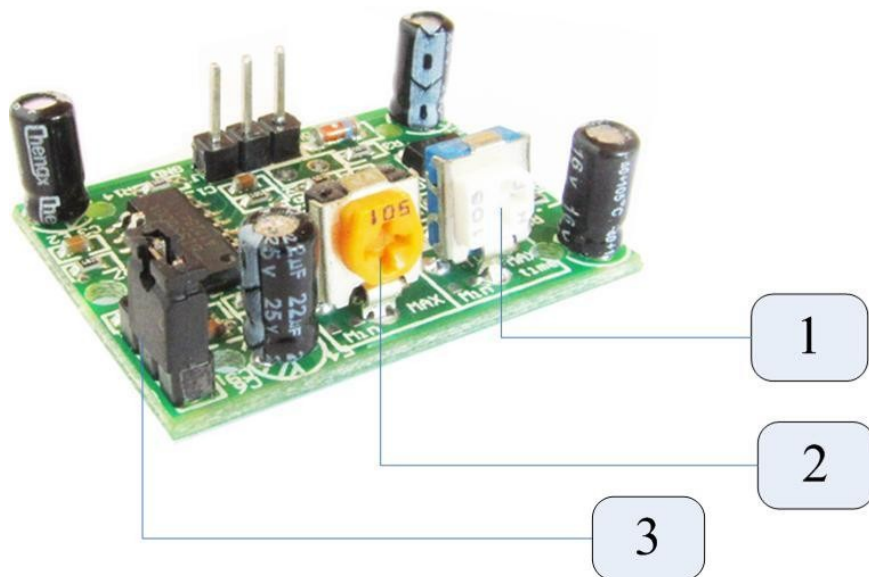
DYP-ME003 PIR Sensor Module Datasheet



This module is based on BISS0001 PIR motion detector IC, which processes the output of the analog sensor and transforms it in a digital signal. This modules allows you to detect motion, and it's most frequent use is to determine when a human has moved into the sensing range.

The PIR sensor is covered by Fresnel Lens, which increase the range and define the sensing pattern of the module.

1. Setting up the module



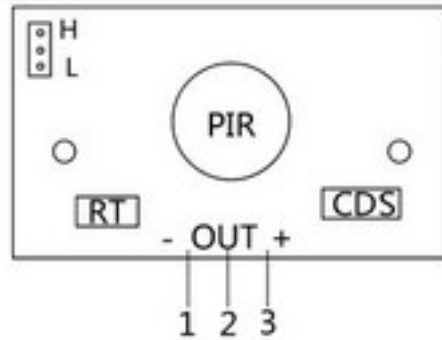
(1) Delay Time Potentiometer; (2) Distance Potentiometer; (3) Trigger Mode Jumper

The delay time represents the duration of the output high signal. The minimum delay time is 5 s and the maximum delay time is 300 s. This parameter can be adjusted using potentiometer (1).

The maximum detection range of this module is adjustable between 3 m and 7 m. It can be adjusted using potentiometer (2).

This module also features a two trigger modes: single trigger and repeatable trigger. The trigger mode can be configured using jumper (3).

2. The Pinout



(1) GND ; (2) OUTPUT; (3) VCC

When the trigger mode jumper is connected to “L”, the module is configured to use a single trigger. Setting the jumper in the “H” position configures the module to use a repeatable trigger. The default trigger is the repeatable one.

3. Specifications

Supply voltage	4.5 V to 20 V DC
Voltage output high level	3.3 V
Maximum detection distance	Adjustable between 3 m and 7 m
Maximum detection angle	110° solid angle
Delay time	Adjustable between 5 s and 200 s (default 5 s)
Blocking time	2.5 s

4. The Electrical Schematic

